

# CHNT

# 4 Improvements

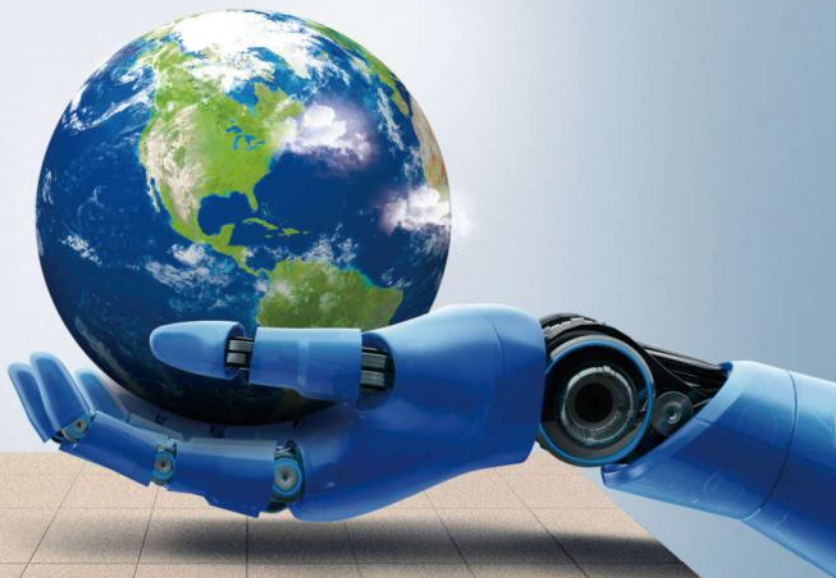
More  
Accurate  
Measurement

Easier  
to  
Install

New  
Appearance

Green  
Energy  
Saving

Electricity Meter / Digital Panel Meter / DIN-Rail Meter



**Next**  
series

The Next Reliable Choice



# 960°C Resistance to fire

Refractory materials make electricity safer



**CHNT** | Next  
series  
The Next Reliable Choice

# 35mm DIN-Rail

## Smaller size & easier installation

Delicate structure suitable for complex site environment



# Class 0.5

## High accuracy measurement

3-digit decimal display provides accurate data



# DDS666 Single Phase Electronic Meter



LCD Type



Register Type

## Function

- Low Power Consumption
- Bi-Direction Measurement
- Optional Display

## Features



HIGH ACCURACY



LOW CONSUMPTION

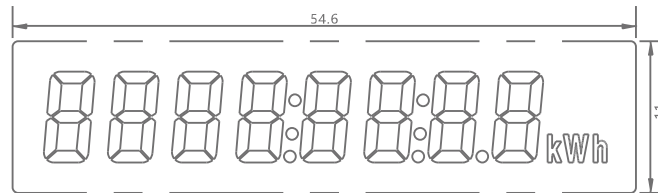


BI-DIRECTION MEASUREMENT



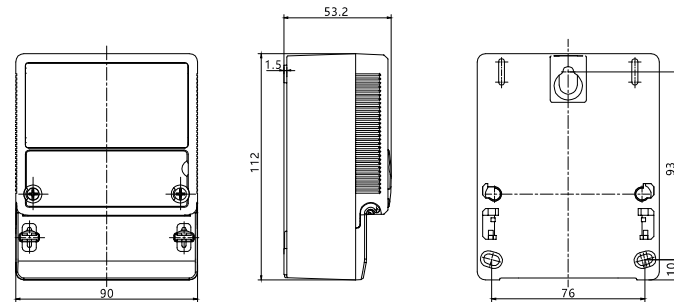
ANTI-TAMPER

## LCD Indication



Units: mm

## Meter Dimensions



Units: mm

# DDS666 Single Phase Electronic Meter

## Specifications

### Measurement

- Compliance with IEC62052-11 IEC62053-21
- Element: 1P2W
- Accuracy: Class 1.0 for active

### Voltage

- Nominal voltage ( $U_n$ ): 220V, 230V, 240V
- Operating range:  $0.75U_n \sim 1.2U_n$
- Power consumption:  $\leq 2W$ , 10VA

### Current

- 5(60)A
- 5(100)A

### Frequency

- 50Hz or 60Hz,  $\pm 5\%$

### LCD Display (LCD optional)

- 8 characters of 7 segment display
- Display available without main power LCD Display

### Register Display (Optional)

- Register type: 5+1 display
- LCD type: 6+2 display

### Backup Power ( LCD type only )

- Built-in super capacitor / battery

### Measured Values

- Absolute kWh

### Output

- LED pulse for per kWh

### Communications (LCD type only)

- Optical port (optional)
- RS-485 (optional)
- Bluetooth (optional)

### Environmental

- Operating range limit:  $-40^{\circ}\text{C}$  to  $+75^{\circ}\text{C}$
- storage range limit:  $-40^{\circ}\text{C}$  to  $+85^{\circ}\text{C}$
- Relative humidity:  $\leq 95\%$  RH
- Ingress protection: IP54

### Dimensions and Weight

- Dimensions: 112mm  $\times$  90mm  $\times$  53.2mm
- Weight: 0.3kg (Approx.)

# DDSY666 Single Phase Smart Card Meter



LCD Type

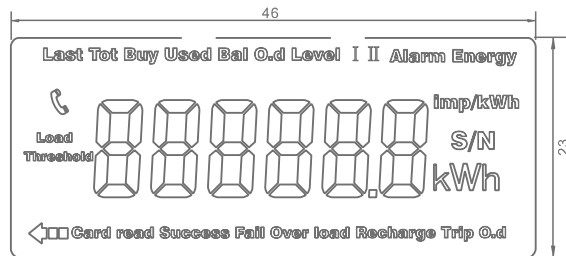
## Function

- IC Card Prepayment
- Balance Alarm
- Multiple Data Encryption

## Features

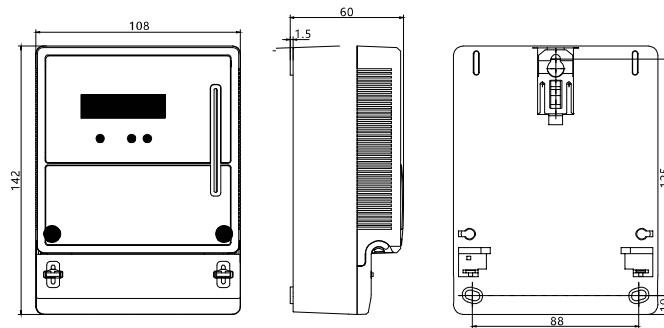


## LCD Indication



Units: mm

## Meter Dimensions



Units: mm

# DDSY666 Single Phase Smart Card Meter

## Specifications

### Measurement

- Compliance with IEC62052-11 IEC62053-21
- Connection type: 1P2W
- Accuracy: Class 1.0 for active

### Voltage

- Nominal voltage ( $U_n$ ): 220V, 230V, 240V
- Operating range:  $0.7U_n \sim 1.2U_n$
- Power consumption:  $\leq 1.5W, 5VA$

### Current

- 5(60)A
- 10(80)A

### Frequency

- 50Hz or 60Hz,  $\pm 5\%$

### LCD Display

- 6 characters of 7 segment display
- Digital size: 4.2mm  $\times$  9.2mm
- With backlight
- Auto scroll and scroll with push button
- Reverse power

### Measured Values

- Active energy
- Cumulative and credit energy

### Relay

- Internal relay
- One relay / 90A
- Relay will disconnected when meter overload (configure)

### Communications

- Optical (IR) port
- RS485 port

### Alarm

- Alarm for not enough balance
- Relay disconnected alarm for overload

### Security

- One card one password
- Multiple data encryption

### Environmental

- Operating range limit:  $-40^{\circ}C$  to  $+75^{\circ}C$
- Storage range limit:  $-40^{\circ}C$  to  $+85^{\circ}C$
- Relative humidity:  $\leq 95\%RH$
- Ingress protection: IP54

### Dimensions and Weight

- Dimensions: 142mm  $\times$  108mm  $\times$  60mm
- Weight: 0.6 kg (Approx.)



# DTSY666 Three Phase Smart Card Meter



LCD Type

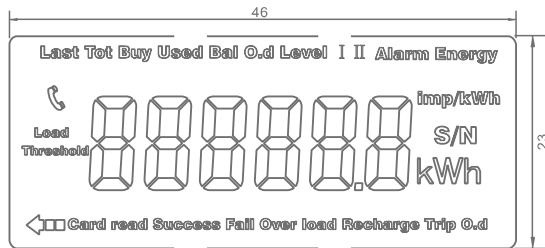
## Function

- IC Card Prepayment
- Balance Alarm
- Multiple Data Encryption

## Features

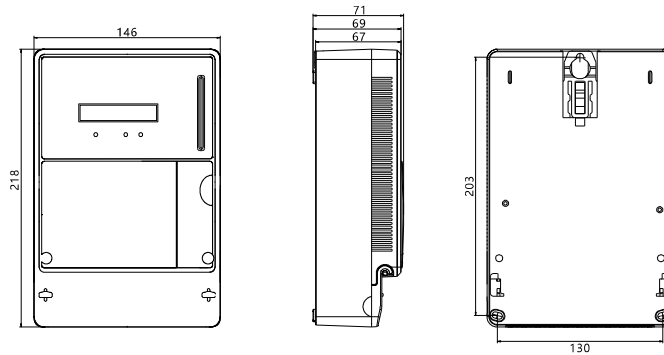


## LCD Indication



Units: mm

## Meter Dimensions



Units: mm

# DTSY666 Three Phase Smart Card Meter

## Specifications

### Measurement

- Compliance with IEC62052-11 IEC62053-21
- Connection type: 3P4W
- Accuracy: Class 1.0 for active

### Voltage

- Nominal voltage ( $U_n$ ):  $3 \times 220/380V \sim 3 \times 240/415V$
- Operating range:  $0.7U_n \sim 1.2U_n$
- Power consumption:  $\leq 1.5W, 5VA$

### Current

- 1.5(6)A
- 5(60)A
- 10(100)A

### Frequency

- 50Hz or 60Hz,  $\pm 5\%$

### LCD Display

- 6 characters of 7 segment display
- Digital size: 5.4mm  $\times$  11.8mm
- With backlight
- Auto scroll and scroll with push button
- Reverse power

### Measured Values

- Active energy
- Cumulative and credit energy

### Relay

- Internal relay / 60A
- External relay / 100A
- Relay will disconnected when meter overload (configure)

### Communications

- Optical (IR) port
- RS485 port

### Alarm

- Alarm for not enough balance
- Relay disconnected alarm for overload

### Security

- One card one password
- Multiple data encryption

### Environmental

- Operating range limit:  $-40^{\circ}C$  to  $+75^{\circ}C$
- Storage range limit:  $-40^{\circ}C$  to  $+85^{\circ}C$
- Relative humidity:  $\leq 95\%RH$
- Ingress protection: IP54

### Dimensions and Weight

- Dimensions: 218mm  $\times$  146mm  $\times$  71mm
- Weight: 1.3 kg (Approx.)

# DTS634 Three Phase Electronic Meter



LCD Type



Register Type

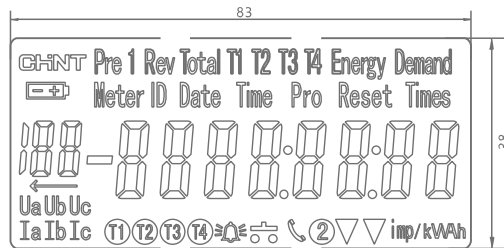
## Function

- Low Power Consumption
- Bi-Direction Measurement
- Optional Display

## Features



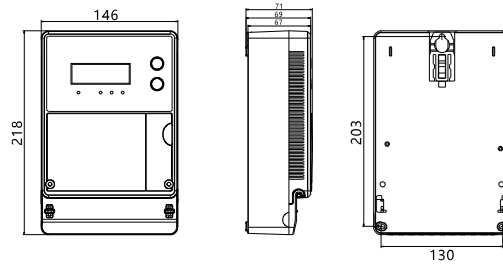
## LCD Indication



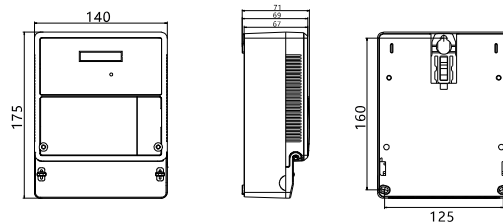
Units: mm

## Meter Dimensions

LCD type



Register type



Units: mm

# DTS634 Three Phase Electronic Meter

## Specifications

### Measurement

- Compliance with IEC62052-11 IEC62053-21
- Element: 3P4W
- Accuracy: Class 1.0 for active

### Voltage

- Nominal voltage ( $U_n$ ):  $3 \times 220/380V \sim 3 \times 240/415V$
- Operating range:  $0.75U_n \sim 1.2U_n$
- Power consumption:  $\leq 1.5W, 5VA$

### Current

- 1.5(6)A
- 5(60)A
- 10(100)A

### Frequency

- 50Hz or 60Hz,  $\pm 5\%$

### LCD Display (LCD type only)

- 8 characters of 7 segment display
- Display available without main power LCD Display
- Digital size: 7.1mm  $\times$  15.9mm

### Register Display (Optional)

- Register type: 5+1 display
- LCD type: 6+2 display

### Measured Values

- Import/Export/Absolute kWh
- Instantaneous kW, kVA, Irms, Vrms, Frequency, Power factor (LCD type only)

### Output

- LED pulse for per kWh

### Communications (LCD type only)

- Optical port (optional)
- RS-485 (optional)

### Environmental

- Operating range limit:  $-40^\circ C$  to  $+75^\circ C$
- storage range limit:  $-40^\circ C$  to  $+85^\circ C$
- Relative humidity:  $\leq 95\% RH$
- Ingress protection: IP54

### Dimensions and Weight

- Register type: 175mm  $\times$  140mm  $\times$  71mm
- LCD type: 218mm  $\times$  146mm  $\times$  71mm
- Weight: Register type 0.9 kg (Approx.)  
LCD type 1.3 kg (Approx.)

# DDSU666 Single Phase DIN-Rail Meter



LCD Type

## Function

- LCD Display
- Bi-Direction Measurement
- DIN-Rail Installation

## Features



HIGH ACCURACY



LOW CONSUMPTION

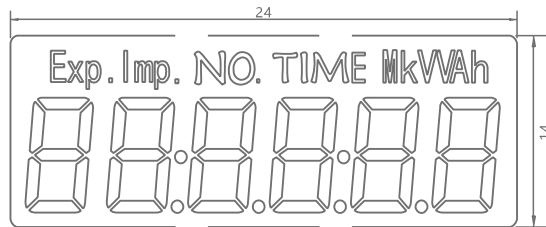


BI-DIRECTION  
MEASUREMENT



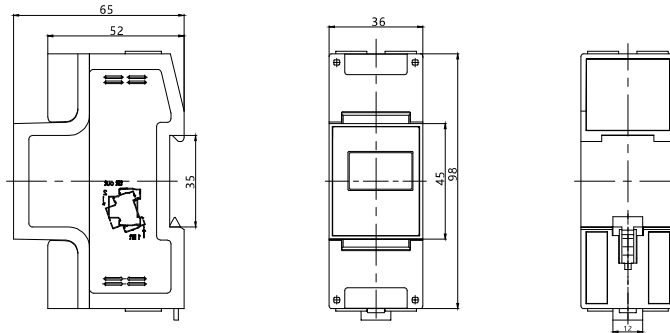
LARGE LCD  
DISPLAY

## LCD Indication



Units: mm

## Meter Dimensions



Units: mm

# DDSU666 Single Phase DIN-Rail Meter

---

## Specifications

### Measurement

- Compliance with IEC62052-11 IEC62053-21
- Connection type: 1P2W
- Accuracy: Class 1.0 for active

### Voltage

- Nominal voltage ( $U_n$ ): 120V, 220V, 230V, 240V
- Operating range:  $0.7U_n \sim 1.2U_n$
- Power consumption:  $\leq 1W$ , 5VA

### Current

- CT: 1.5(6)A
- DC: 5(80)A

### Frequency

- 50Hz or 60Hz

### LCD Display

- 6 characters of 7 segment display
- Digital size: 5.3mm  $\times$  2.8mm

### LED Display

- Number of flashes per kWh

### Measured Values

- Total kWh
- Instantaneous kW
- Instantaneous  $I_{rms}$ ,  $V_{rms}$ , frequency, power factor

### Communications

- RS485
- Protocol: Modbus and DL/T 645-2007

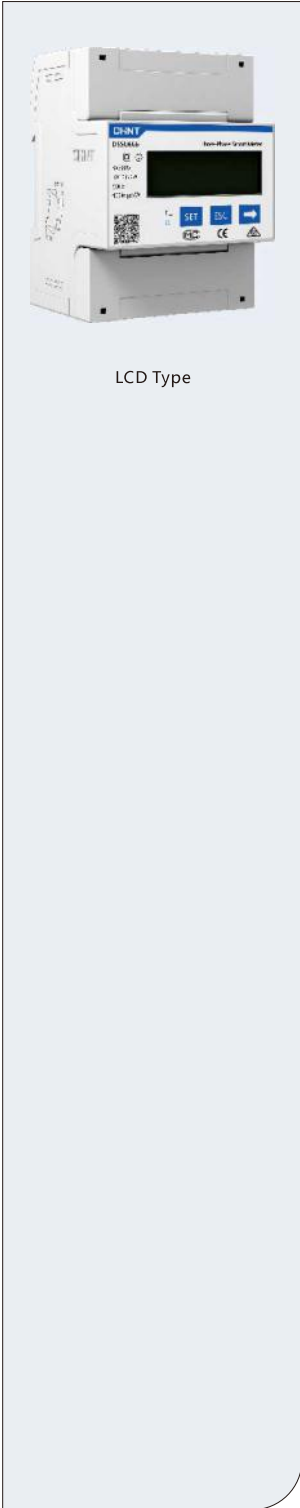
### Environmental

- Operating range limit:  $-40^{\circ}C$  to  $+75^{\circ}C$
- Storage range limit:  $-40^{\circ}C$  to  $+85^{\circ}C$
- Relative humidity:  $\leq 95\%RH$
- Ingress protection: IP51

### Dimensions and Weight

- Dimensions: 98mm  $\times$  65mm  $\times$  36mm
- Weight: 0.2 kg (Approx.)

# DTSU666 Three Phase DIN-Rail Meter



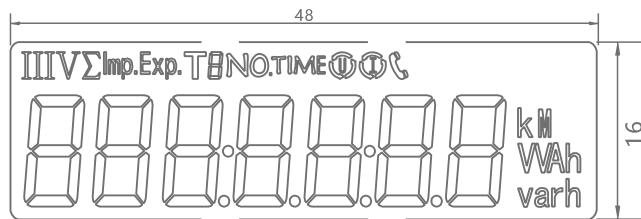
## Function

- LCD Display
- Bi-Direction Measurement
- DIN-Rail Installation

## Features

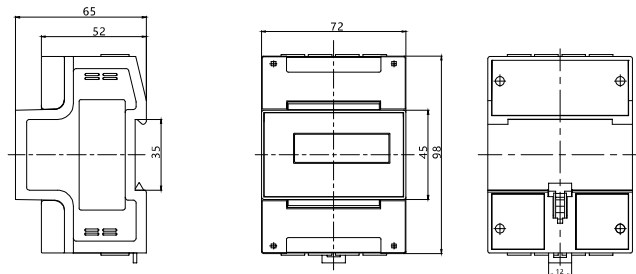


## LCD Indication



Units: mm

## Meter Dimensions



Units: mm

# DTSU666 Three Phase DIN-Rail Meter

## Specifications

### Measurement

- Compliance with IEC62052-11 IEC62053-21
- Connection type: 3P4W
- Accuracy: Class 1.0 for active

### Voltage

- Nominal voltage (Un): 3×220/380V , 3×230/400V  
3×240/415V
- Operating range: 0.7Un ~ 1.2Un
- Power consumption: ≤1W, 5VA

### Current

- CT: 1.5(6)A
- DC: 5(80)A

### Frequency

- 50Hz or 60Hz

### LCD Display

- 7 characters of 7 segment display
- Digital size: 5.3mm × 2.8mm

### LED Display

- Number of flashes per kWh

### Measured Values

- Total kWh
- Total kvarh
- Instantaneous kW, kvar
- Instantaneous Irms, Vrms, frequency, power factor

### Communications

- RS485
- Protocol: Modbus and DL/T 645-2007

### Environmental

- Operating range limit: -40°C to +75°C
- Storage range limit: -40°C to +85°C
- Relative humidity: ≤ 95%RH
- Ingress protection: IP51

### Dimensions and Weight

- Dimensions: 98mm × 65mm × 72mm
- Weight: 0.4 kg (Approx.)



# PA/PZ666-□ series Single Phase Digital Ammeter, Voltmeter



Single Phase Digital Ammeter



Single Phase Digital Voltmeter

## Main Functions and Characteristics

- Real-time measurement and indication for the current and voltage value of the power circuit.
- Extensible analog output function, current range 4~20mA, 0~20mA, 0~10 mA selectable.
- Extensible relay switch output function, upper and lower alarm output can be realized.
- Extensible RS485 communication interface, according to MODBUS-RTU communication protocol, the baud rate can be set.

## Technical Parameters

Item	Specification
Voltage	AC 100V, 660V selectable, DC 75mV, 660V, other special specifications can be custom-made
Current	AC 1A, 5A selectable, DC 4~20mA, 5A selectable, other special specifications can be custom-made
Frequency	45Hz~65Hz
Accuracy class	Class 0.5
Auxiliary power supply	220VAC±20%, AC/DC85-264 switch power supply customizable
Operation temperature range	Operation temperature range: -25°C ~ 55°C, limit operation temperature range: -40°C ~ 70°C
Power consumption	≤2W/10VA
Display mode	LED display

## External and Installation Dimensions

Units: mm

Model	Panel dimension (A×B)	Main part dimension (E×D)	Depth (C)	Hole spacing dimensions (W×H)
P-1	96×48	90×44	110	92×45
P-2	72×72	66×66	90	68×68
P-3	96×96	90×90	90	92×92
P-4	48×48	44×44	110	45×45
P-6	80×80	75×75	90	76×76
P-8	120×120	112×112	90	114×114

